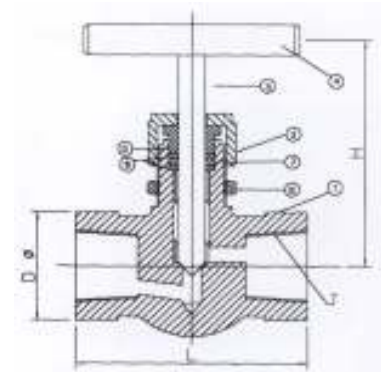


VALVES CONTINUED

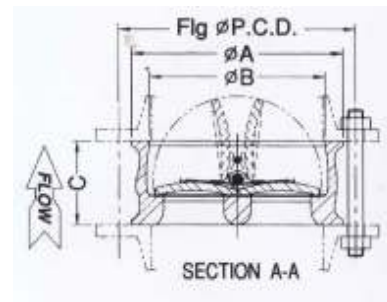
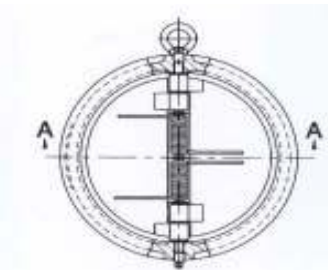
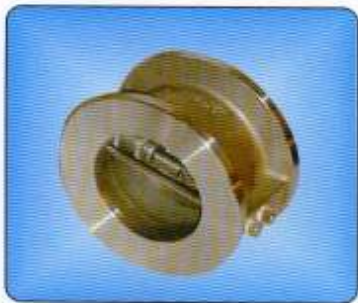
Needle Valve (NPT)



- >- 316 S/S with Teflon Gland Seal.
- >- 3000psi - 8000 psi at 38-66°C

| Size | L | D | H-Close | H-Open |
|------|----|----|---------|--------|
| 1/4" | 50 | 19 | 52 | 58 |
| 3/8" | 50 | 23 | 55 | 62 |
| 1/2" | 64 | 30 | 67 | 73 |
| 3/4" | 64 | 37 | 70 | 78 |
| 1" | 78 | 43 | 90 | 100 |

Wafer Duo Check Valve (flanged ansi150)



- >- 316 S/S.
- >- 150 lb pressure rating.

| Size | Pressure Rating | A | B | C | Dia of Bolt Circle | Weight Kg |
|--------|-----------------|-------|-------|-------|--------------------|-----------|
| 2" | 150lb | 4.12" | 2.36" | 2.37" | 4.75" | 2.5 |
| 2 1/2" | 150lb | 4.87" | 2.87" | 2.62" | 5.5" | 3 |
| 3" | 150lb | 5.37" | 3.5" | 2.87" | 6" | 4.5 |
| 4" | 150lb | 6.87" | 4.49" | 2.87" | 7.5" | 8 |
| 6" | 150lb | 8.75" | 6.61" | 3.87" | 9.5" | 13 |
| 8" | 150lb | 11" | 8.62" | 5" | 11.75" | 28 |