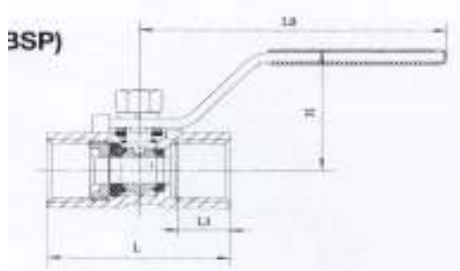


BALL VALVES

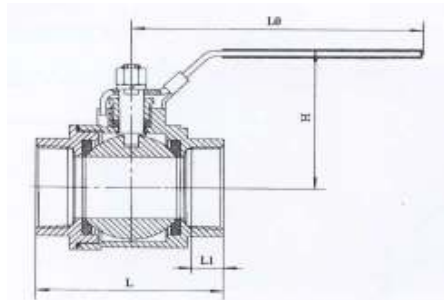
One Piece Ball Valve (BSP)



- >- 316 S/S with PTFE Seat.
- >- 1000psi(69Bar) WOG
- >- Thread parrallel to BS21
- 25 C to 150 C

Size	L	L1	H	L0	Weight Kg
1/4"	39	9.5	26	66	0.1
3/8"	44	10.5	28	79	0.13
1/2"	56.5	14	40	96	0.19
3/4"	59	15	44	96	0.27
1"	71	18	50	101	0.43
1 1/4"	78	19	54	101	0.67
1 1/2"	83	20	70	135	0.86
2"	100	23	75	135	1.47

Two Piece Ball Valve (BSP)



- >- 316 S/S with PTFE Seat.
- >- Full Bore.
- >- 1000psi (69 Bar) WOG
- >- Thread parrallel to BS21
- 25 C to 150 C

Size	L	L1	H	L0	Weight Kg
1/4"	52	11	52	104.5	0.26
3/8"	52	12	52	104.5	0.26
1/2"	63	13.5	56.5	125	0.38
3/4"	73.5	16	58.5	125	0.53
1"	79	14.5	74	160	0.86
1 1/4"	101	20	80	160	1.29
1 1/2"	109	19	92	190	1.97
2"	123	22	103	190	3
2 1/2"	164	30	118	280	6.06
3"	180	32	127	280	9.26